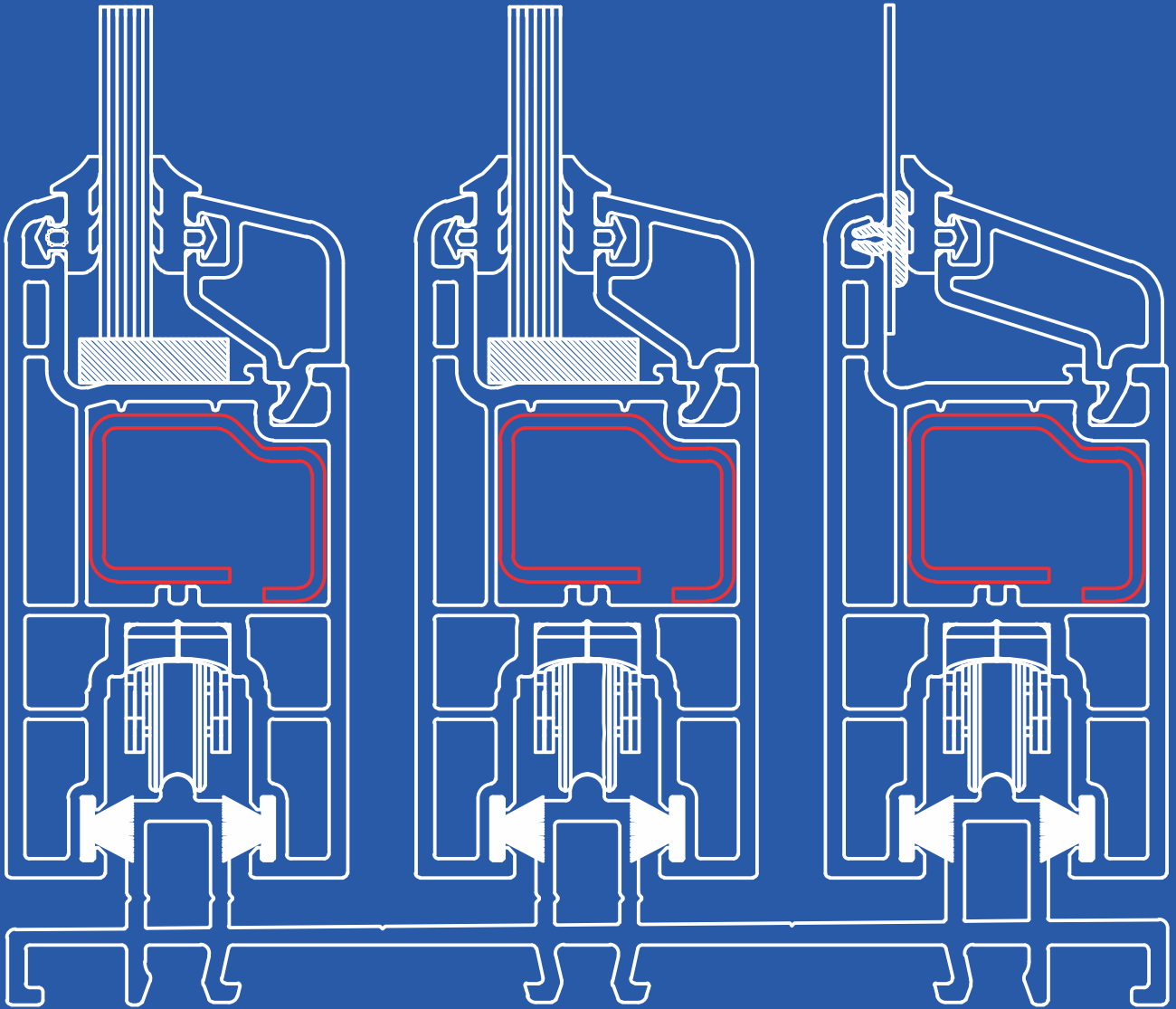


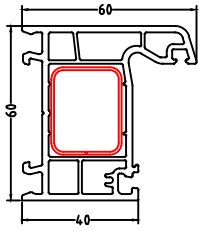
DK DURAKRAFT EXTRUSIONS

Durably Crafted uPVC Windows and Doors

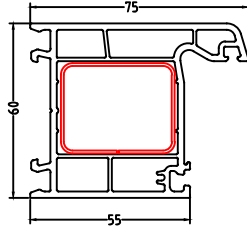


LUXURIA 60 SERIES

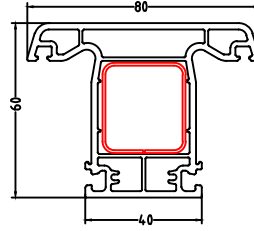
STANDARD CASEMENT WINDOW AND DOOR SERIES



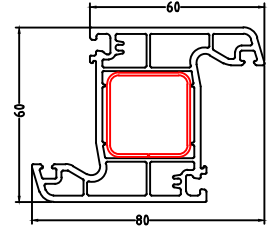
Standard Casement Frame - 60x60
CODE - SCF1



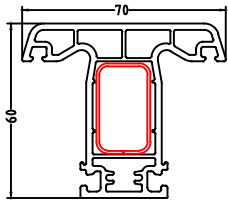
Standard Casement Frame - 60x75
CODE - SCF2



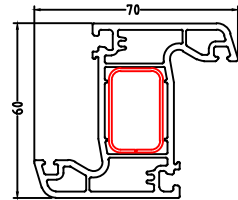
Standard Casement 'T' Mullion - 60x80
CODE - SCT1



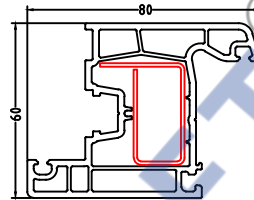
Standard Casement 'Z' mullion - 60x80
CODE - SCT2



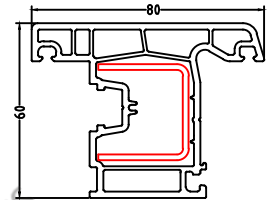
Standard Casement 'T' Mullion - 60x70
CODE - SCT3



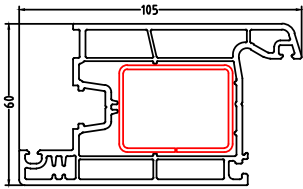
Standard casement 'Z' mullion - 60x70
CODE - SCT4



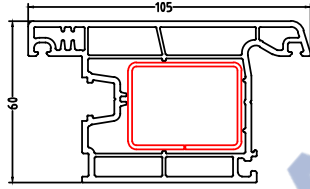
Standard Casement Inward Window Sash - 60x80
CODE - SCWS1



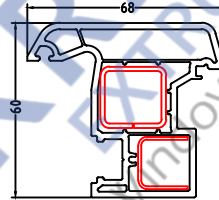
Standard Casement Outward Window Sash - 60x80
CODE - SCWS2



Standard Casement Inward Door Sash - 60x105
CODE - SCDS1



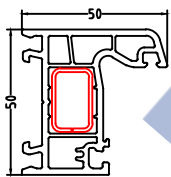
Standard Casement Outward Door Sash - 60x105
CODE - SCDS2



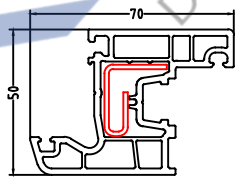
Standard Casement 'F' Mullion - 60x68
CODE - SCFM1

PREMIA 50 SERIES

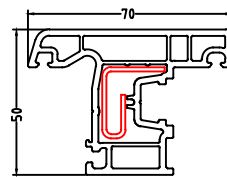
ECO CASEMENT WINDOW SERIES



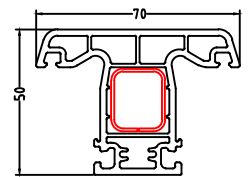
Eco Casement Frame - 50x50
CODE - ECF



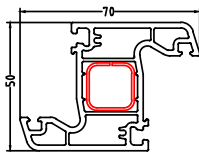
Eco Casement Inward Sash - 50x70
CODE - ECS1



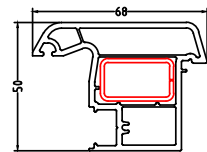
Eco Casement Outward Sash - 50x70
CODE - ECS2



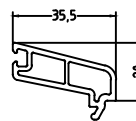
Eco Casement 'T' Mullion - 50x70
CODE - ECM1



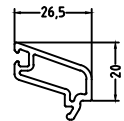
Eco Casement 'Z' Mullion - 50x70
CODE - ECM2



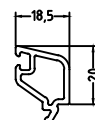
Eco Casement 'F' Mullion - 68x50
CODE - ECFM



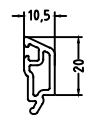
Bead - 35.5x20
CODE - CB1



Bead - 26.5x20
CODE - CB2



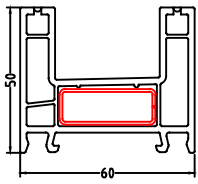
Bead - 18.5x20
CODE - CB3



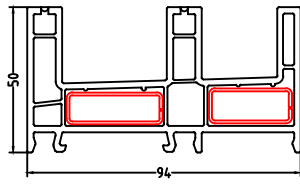
Sliding Bead - 10.5x20
CODE - SB1

LUXURIA DK 60,84,94 & 108 SERIES

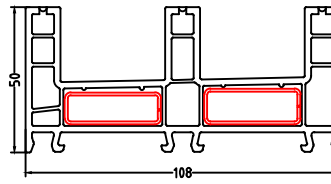
STANDARD SLIDING DOOR AND WINDOW SERIES



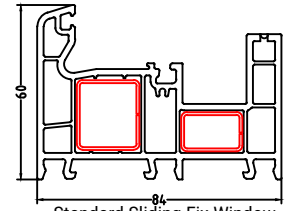
Standard Sliding 2 Track Frame - 60x50
CODE - SSF1



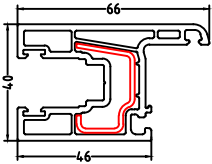
Standard Sliding 2.5 Track Frame - 94x50
CODE - SSF2



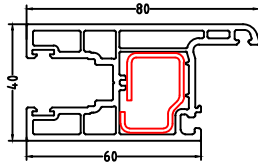
Standard Sliding 3 Track Frame - 108x50
CODE - SSF3



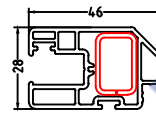
Standard Sliding Fix Window Slider Frame - 84x60
CODE - SSF4



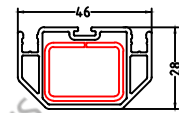
Standard Sliding Window Sash - 40x66
CODE - SWS1



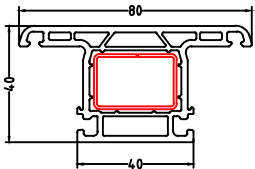
Standard Sliding Door Sash - 40x80
CODE - SSDS1



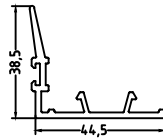
Mesh Sliding Sash - 28x46
CODE - MSS



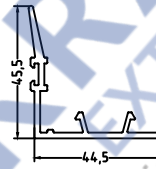
Sliding Mesh Mullion - 28x46
CODE - SMM



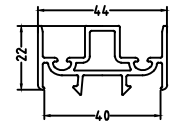
Standard Sliding 'T' Mullion - 40x80
CODE - SSM1



Standard Sliding Window Interlock - 44.5x38.5
CODE - SSWI



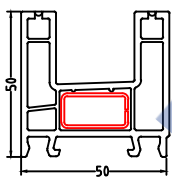
Standard Sliding Door Interlock - 44.5x45.5
CODE - SSDI



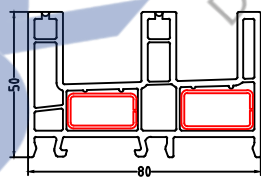
Standard Sliding Sash Adaptor - 40x22
CODE - SSSA

PREMIA 50,80 & 90 SERIES

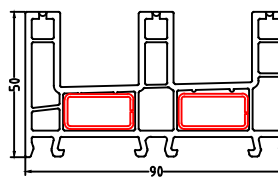
ECO SLIDING DOOR & WINDOW SERIES



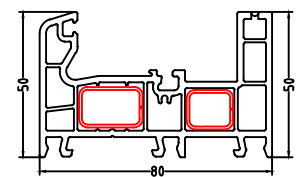
Eco Sliding 2 Track Frame - 50x50
CODE - ESF1



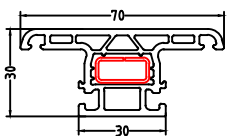
Eco Sliding 2.5 Track Frame - 80x50
CODE - ESF2



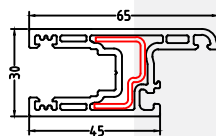
Eco Sliding 3 Track Frame - 90x50
CODE - ESF3



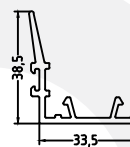
Eco Sliding Fix Window Slider Frame - 80x50
CODE - ESFF1



Eco Sliding 'T' Mullion - 70x30
CODE - ESTM



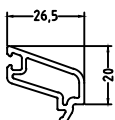
Eco Sliding Sash - 30x65
CODE - ESS



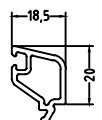
Eco Sliding Interlock - 33.5x38.5
CODE - ESI



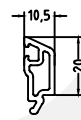
Aluminium Rail Track Solid
CODE - ARTS



Bead - 26.5x20
CODE - CB2



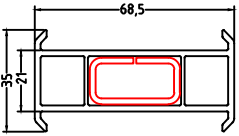
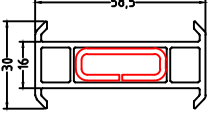
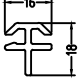
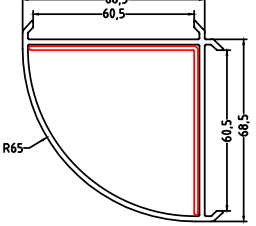
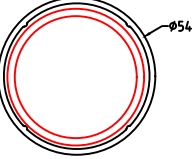
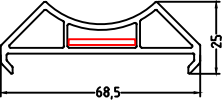

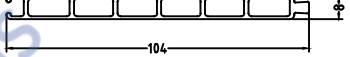
Bead - 18.5x20
CODE - CB3



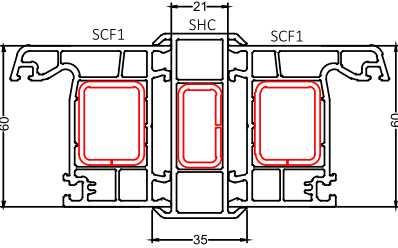
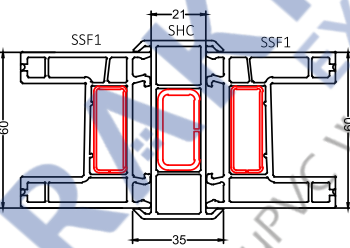
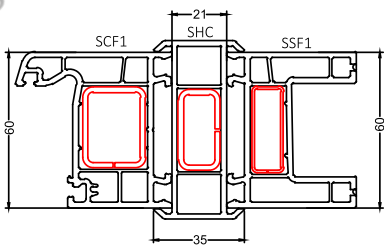
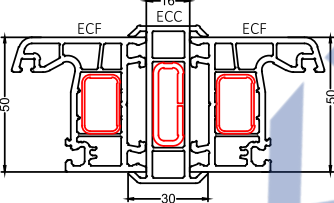
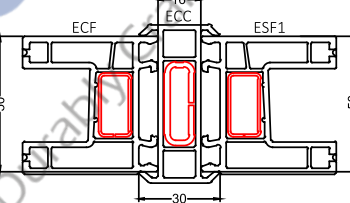
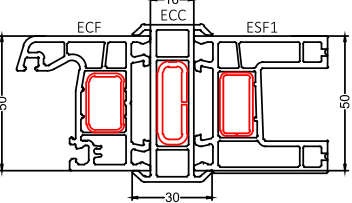
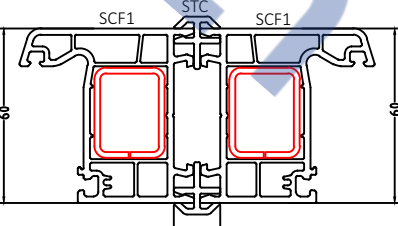
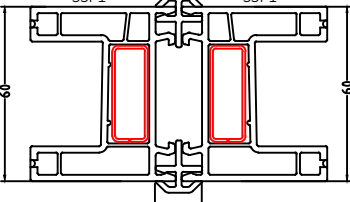
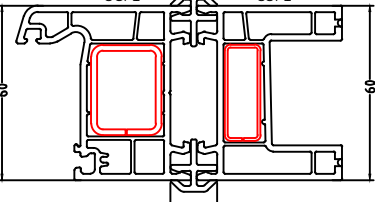
Sliding Bead - 10.5x20
CODE - SB1

AUXILIARY ITEM




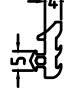


FRAME COUPLING OPTIONS & AUXILIARY PROFILES OVERVIEW

 <p>Standard Casement 'H' Coupler - 68x35 CODE - SHC</p>	 <p>Eco Casement 'H' Coupling - 58x30 CODE - ECC</p>	 <p>Standard Casement 'T' Coupler - 18x16 CODE - STC</p>	 <p>Standard Casement 90° Baypole - 60x60 CODE - SCBP</p>
 <p>Standard Casement Round Baypole DIA 54x2 CODE - SCRBP</p>	 <p>Standard Casement Round Baypole Angle Connector - 68x25 CODE - SCRBP A</p>	 <p>Standard Casement Rail Profile - 11x6 CODE - RP</p>	 <p>Casement Door Panel - 8x104 CODE - CDP</p>

FRAME COUPLING OPTIONS

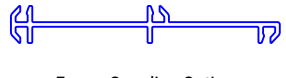
 <p>Standard Casement 'H' Coupler - 60.5x35</p>	 <p>Standard Casement 'H' Coupler - 60.5x35</p>	 <p>Standard Casement 'H' Coupler - 60.5x35</p>
 <p>Eco Casement 'H' Coupling - 50.5x30</p>	 <p>Eco Casement 'H' Coupling - 50.5x30</p>	 <p>Eco Casement 'H' Coupling - 50.5x30</p>
 <p>Standard Casement 'T' Coupler - 18x16</p>	 <p>Standard Casement 'T' Coupler - 18x16</p>	 <p>Standard Casement 'T' Coupler - 18x16</p>

RECOMMENDED GASKET AND WOOLPILE OPTIONS

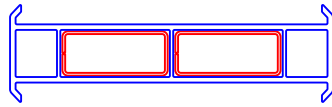
 <p>1MM GASKET GSKT1</p>	 <p>2MM GASKET GSKT2</p>	 <p>3MM GASKET GSKT3</p>	 <p>4MM GASKET GSKT4</p>	 <p>5MM GASKET GSKT5</p>	 <p>SEAL GSST5</p>
--	--	--	--	--	--

ALUMINIUM PROFILE

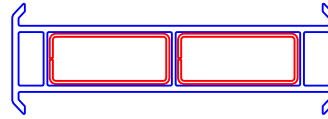
SPECIAL REQUEST COMPONENT



Frame Coupling Option
SCF1 TO SSF3 With ALCP1 Coupler
CODE - ALCP1



Heavy Duty (H.D.) Coupling Options
CODE - HDCP1



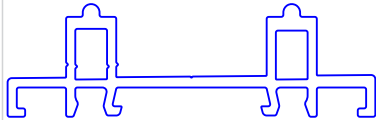
Heavy Duty (H.D.) Coupling Options
CODE - HDCP2



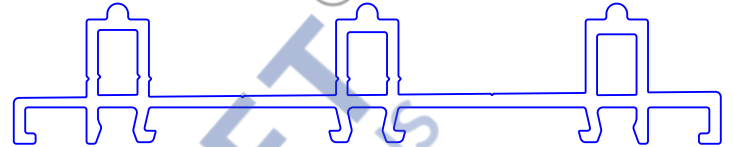
Frame Coupling Option
CODE - ALCP2



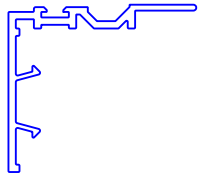
Coupling Options For Standard
and Eco Series
CODE - ALCP3



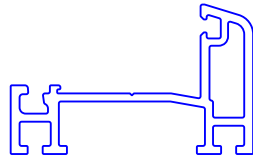
Low Threshold For 2 Track
CODE - LT01



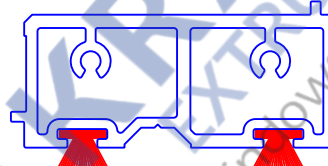
Low Threshold For 3 Track
CODE - LT02



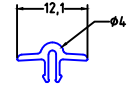
Heavy Duty Sliding Door Interlock
CODE - SSDS1



Low Threshold For Casement Door
CODE - SCDLT



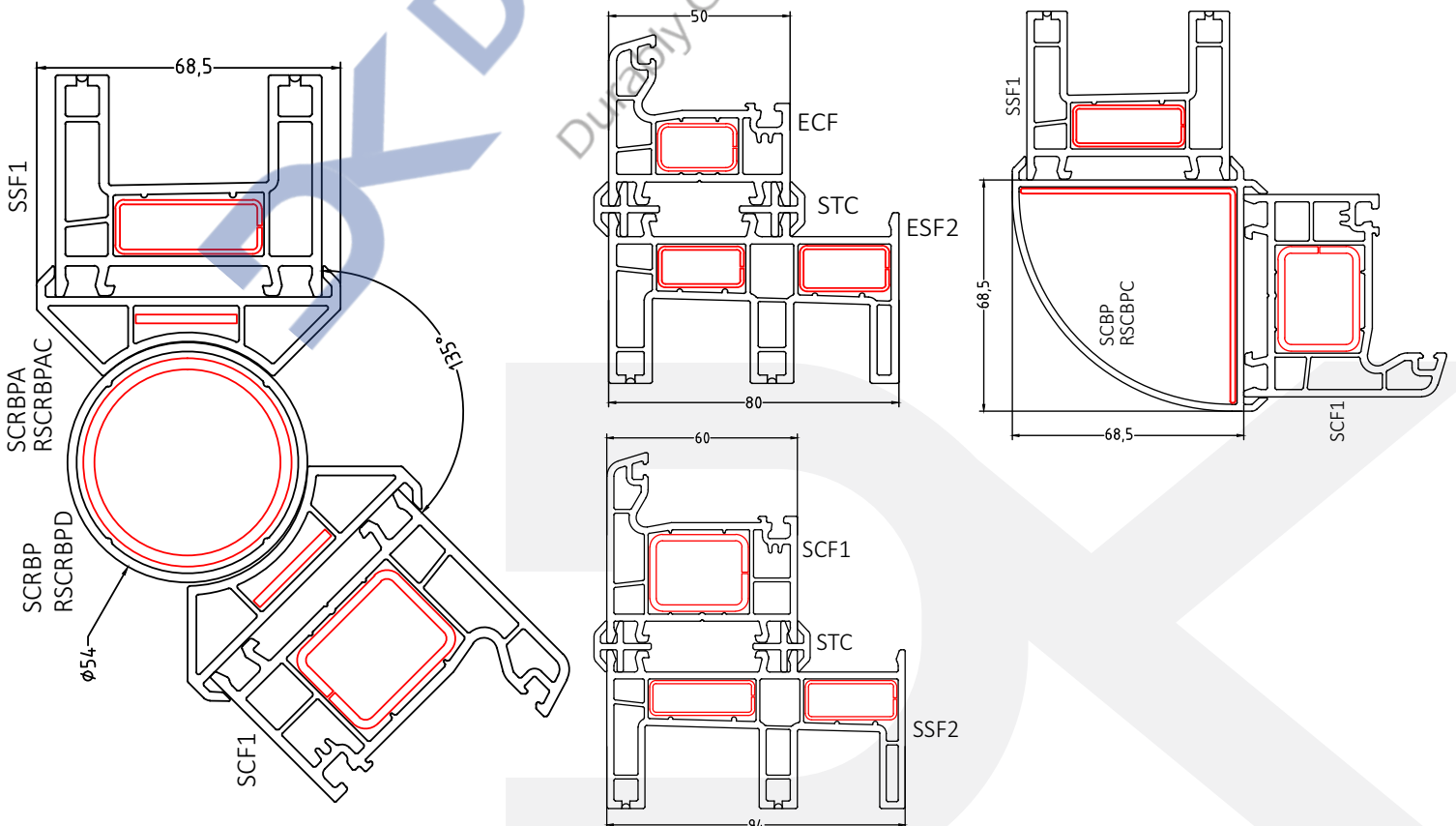
Sash Infill For Casement Door
CODE - SCDSI



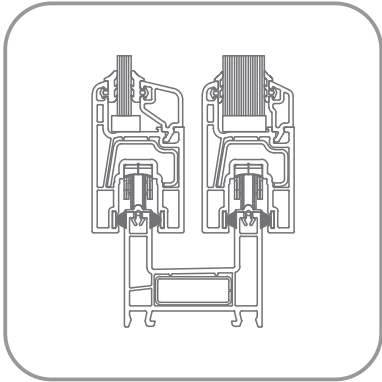
Aluminium Guide rail
CODE - AT

COUPLING OPTION

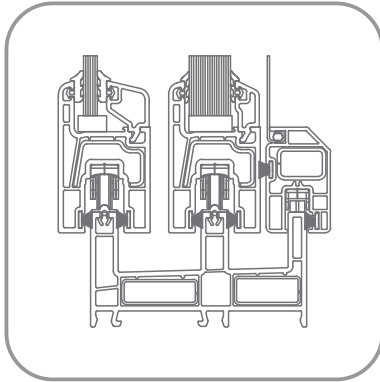
FURTHER FRAME COUPLING OPTIONS



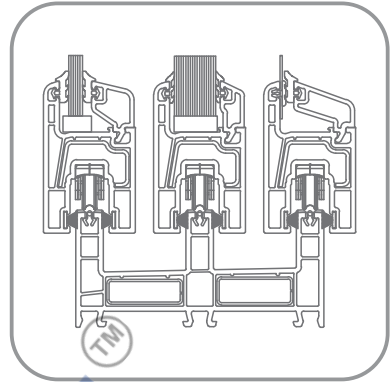
PRODUCTS SECTION OVERVIEW



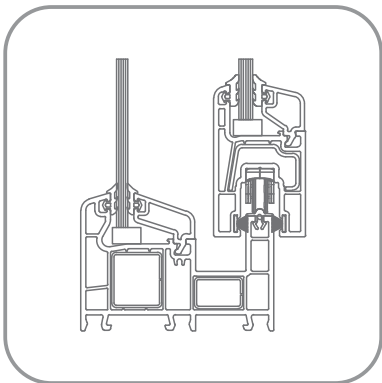
DK60 2T2P SLIDING WINDOW
STANDARD (LUXURIA) SERIES



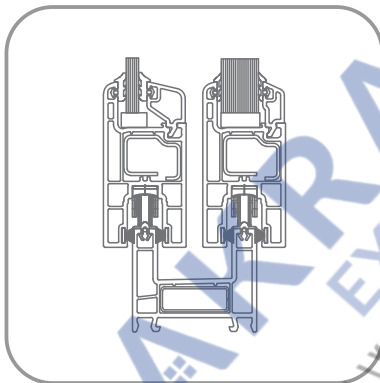
DK94 2.5T SLIDING WINDOW
STANDARD (LUXURIA) SERIES



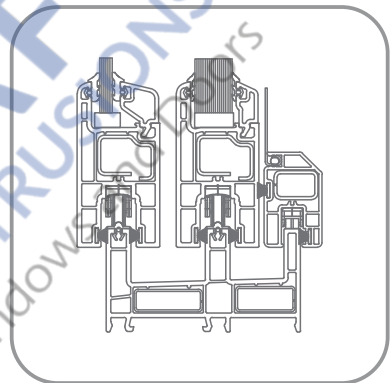
DK108 3T3P SLIDING WINDOW
STANDARD (LUXURIA) SERIES



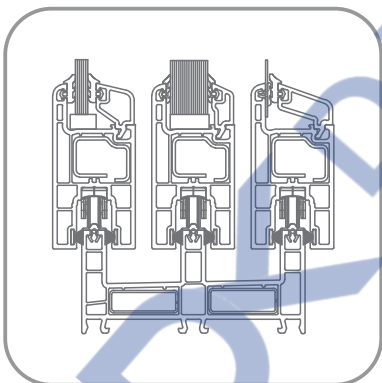
DK84 MONORAIL WINDOW SYSTEM
STANDARD (LUXURIA) SERIES



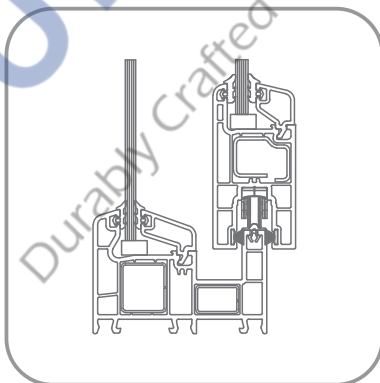
DK60 2T2P SLIDING DOOR
STANDARD (LUXURIA) SERIES



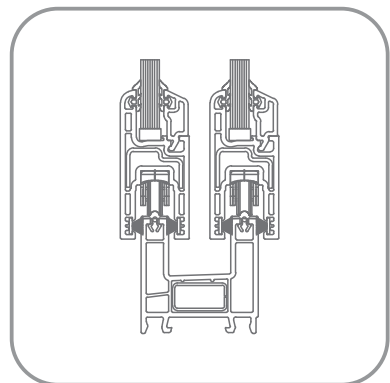
DK94 2.5T SLIDING DOOR
STANDARD (LUXURIA) SERIES



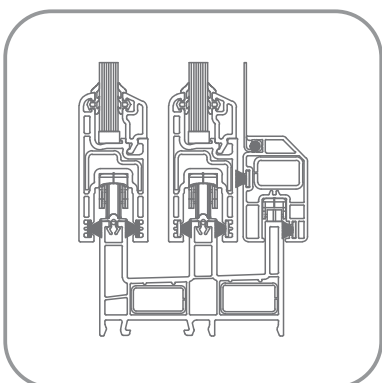
DK108 3T SLIDING DOOR
STANDARD (LUXURIA) SERIES



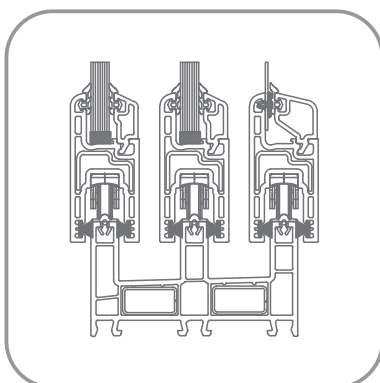
DK84 MONORAIL DOOR SYSTEM
STANDARD (LUXURIA) SERIES



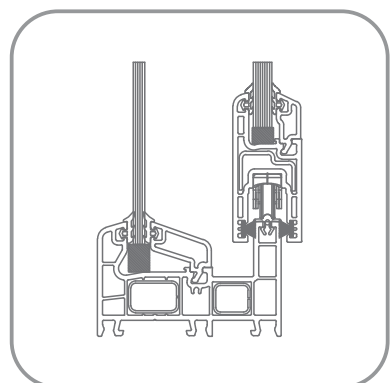
DK50 2T2P SLIDING WINDOW
ECO (PREMIA) SERIES



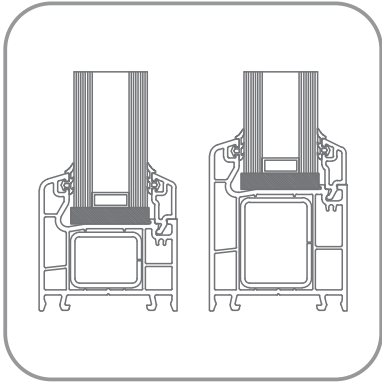
DK80 2.5T SLIDING WINDOW
ECO (PREMIA) SERIES



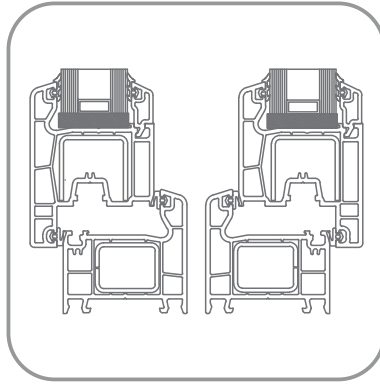
DK90 3T3P SLIDING WINDOW
ECO (PREMIA) SERIES



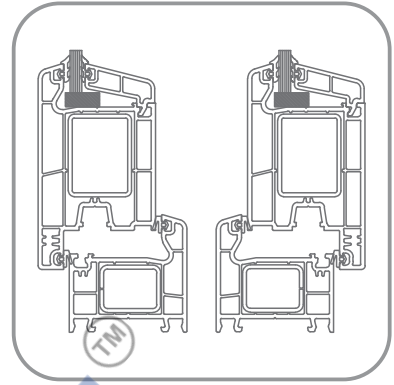
DK80 MONORAIL WINDOW
SYSTEM ECO (PREMIA) SERIES



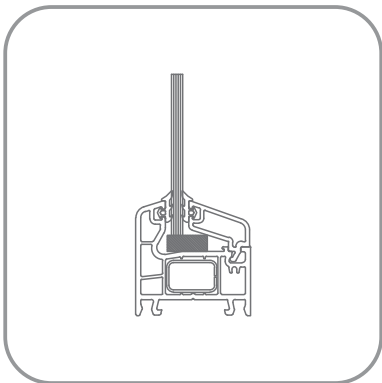
**DK60 CASEMENT WINDOW
STANDARD (LUXURIA) SERIES**



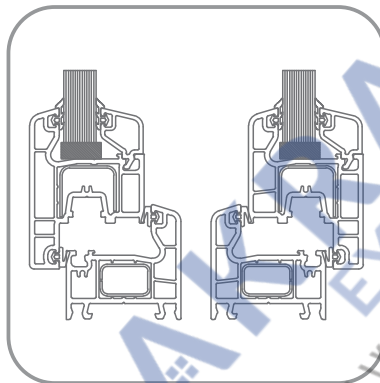
**DK60 CASEMENT OPENABLE WINDOW
STANDARD (LUXURIA) SERIES**



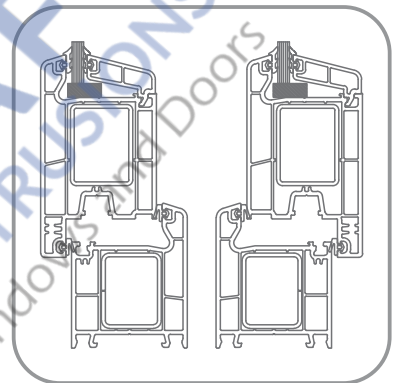
**DK60 CASEMENT DOOR
STANDARD (LUXURIA) SERIES**



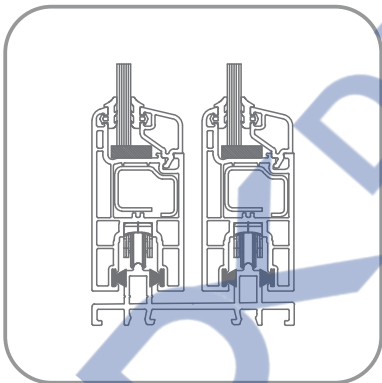
**DK50 CASEMENT WINDOW
ECO (PREMIA) SERIES**



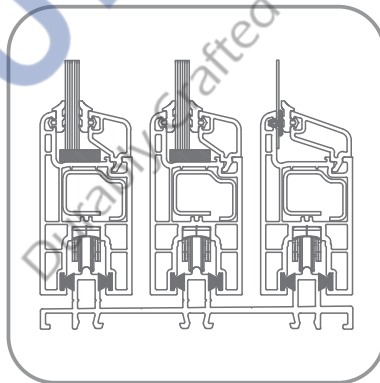
**DK50 CASEMENT WINDOW
ECO (PREMIA) SERIES**



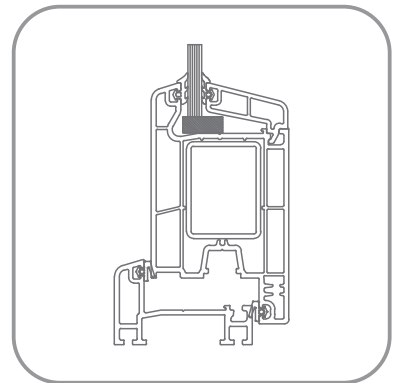
**DK60 FOLD & SLIDE
STANDARD (LUXURIA) SERIES**



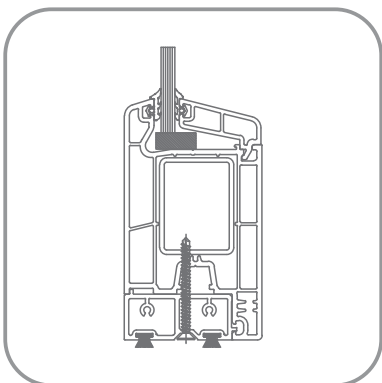
**2 TRACK LOW THRESHOLD
SLIDING DOOR**



**3 TRACK LOW THRESHOLD
SLIDING DOOR**



**LOW THRESHOLD
CASEMENT DOOR**



**SASH INFILL
CASEMENT DOOR**




Durakraft Extrusions Private Limited

Head Office: F-610, Aditya Corporate Hub, RDC, Rajnagar, Ghaziabad-201002

Plant: D-22, Meerut Road Industrial Area, Ghaziabad, U.P.-201003

 www.durakraft.in

 info@durakraft.in

 +91 9266727424